

GreenTek®

Trusted by the best in the game

MAXI-BRUSH

OPERATOR'S MANUAL



INTRODUCTION

Thank you for purchasing Maxi-Brush. This British designed and manufactured product has been engineered to give years of use, provided it is used and maintained correctly.

As with all tractor-mounted equipment it is essential that all operators read and follow these instructions in order to use the Maxi-Brush safely without endangering themselves or other persons.

MACHINERY MARKINGS

Your machine carries the following information. Please quote your Serial Number when ordering spare parts.

CE GreenTek	
Manor Farm, Otley Road, Leeds, LS16 7AL, UK Telephone: 0113 267 6000	
YEAR <input type="text"/>	WEIGHT AS SUPPLIED <input type="text"/> Kg
MODEL <input type="text"/>	SERIAL No <input type="text"/>
INSPECTED BY <input type="text"/>	

APPLICATION

The Maxi-Brush is a unique dual purpose brush which can be used either with the wing brushes folded out for light brushing or with all the brushes mounted together on the centre frame for more intensive brushing, for example when rubbing-in topdressing.

This equipment is designed solely for brushing sports and amenity turf. Use in any other way is contrary to the intended use. The manufacturer accepts no liability for damage or injury resulting from misuse.

Compliance with the instructions in this manual is essential for safe operation.

SAFETY WARNINGS

General

This turf maintenance system is designed to be operated by a tractor of not less than 17HP with a hydraulic lifting capacity of at least 450kg. Front weights may also be necessary when operating this machine.

All operators must also read and follow all instructions in the operator's handbook supplied with the tractor.

Before Starting the Tractor Engine

Check that the brakes are applied, drives are in neutral, guards are in position and intact and bystanders are clear of the machine. Do not run the engine in a building without adequate ventilation.

Operating the Machine

Always wear suitable protective clothing (eg, gloves and steel toe-cap footwear when operating sharp or heavy machinery).

Before moving the machine, check to ensure that all the parts are in good working order, paying particular attention to tyres, steering, brakes and lights. Double check that the attachment is fitted securely to the tractor 3-point linkage.

Always observe the Highway Code both on and off the roads. Keep alert and aware at all times. Remember that some people are deaf or blind; that children and animals can be unpredictable. Keep travelling speeds low enough for an emergency stop to be effective and safe at all times.

Take special care when reversing and ensure that the area behind is clear of obstructions. Remove or avoid obstructions in the working area.

Leaving the Driving Seat

Park the tractor on level ground. Before leaving the driving seat, stop the engine and make sure all moving parts are stationary. Apply brakes and disengage all drives. Remove the ignition key.

Slopes

Take extra care when working on slopes.

Local undulations and sinkage will change the general slope. Avoid ground conditions which will cause the tractor to slide or roll over. Apply brakes before disengaging tractor gears. Keep the tractor completely under control when disengaging the traction clutch. Remember that the extra weight of the attachment will affect the balance and stability of your tractor.

MAXI-BRUSH

- Do take care when unfolding/folding brush sections
- Do remember the operating width is 5.4 m.
- Do inspect the brush regularly for damage/wear.
- Do not use if any repairs are necessary.

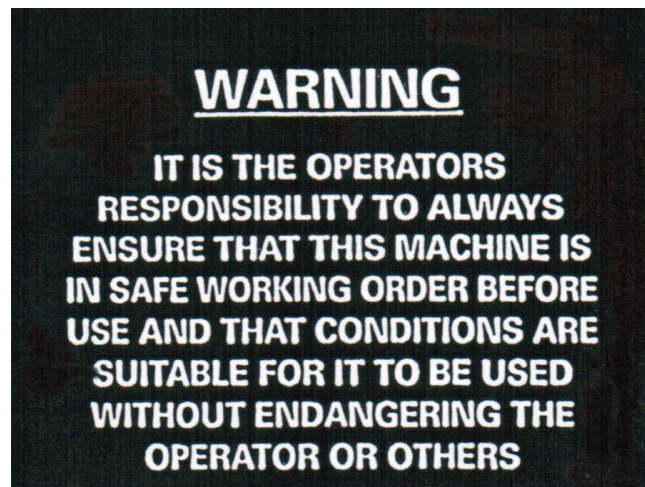
Removing the Attachment from the Tractor

Lock down all of the drop legs BEFORE uncoupling the attachment from the 3-point linkage.

Remember: it is operator's responsibility to always ensure that this machine is in safe working order before use and that conditions are suitable for it to be used without endangering the operator or others.

WARNING DECALS

The following decals are affixed to your Maxi-Brush which must be obeyed at all times. Replacement decals are available free of charge from the manufacturers.



GreenTek[®]

Trusted by the best in the game

Tel: +44 (0)113 267 7000

Email: info@greentek.uk.com

Web: www.greentek.uk.com

BEFORE USE / FITTING TO TRACTOR

The Maxi-Brush is intended to be used with 4WD compact tractors. It is essential that operators follow all safety procedures set out in the tractor operators' manual.

The Maxi-Brush simply attaches to any Category 1 3-point linkage by means of conventional top and bottom link pins.

Do tighten anti-sway chains and lock the 3 stand legs into their raised position.

Do ensure that the linkage is adjusted correctly so that the Maxi-Brush centre frame hangs level from side to side.

Do adjust the top link so that the centre post to which it attaches is vertical when in operation.

USING THE MAXI-BRUSH

For light brushing, attach one wing brush to the rear pair of brackets on one side of the centre frame and the other wing brush to the front pair of brackets on the other side of the centre frame. This allows the brushes to be folded over side by side over the top of the centre frame for transport.

When the tractor lift arms are raised, it will be noted that the wing brushes hang slightly downwards to ensure ground contact over undulations.

This can be adjusted by means of the stop bolt and locking nuts on either side of the centre frame.

If the Maxi-Brush tends to bounce or sway, ensure anti-sway chains on tractor lift arms are correctly tightened, then shorten top link slightly to angle brush forward until bouncing stops.

For intensive brushing, pull out the pivot pins and remove the wing brushes. Then slide them under the centre frame so that all 6 brushes are now parallel and re-attach them using all 4 pivot pins. Secure with the R-clips.

UNCOUPLING THE MAXI-BRUSH

To uncouple the Maxi-Brush from the tractor, first lift the 3-point linkage, then fully lower and securely lock down all drop legs. Then lower the mainframe and uncouple from the tractor.

NEVER UNCOUPLE THE MAXI-BRUSH FROM THE TRACTOR UNLESS ALL DROP LEGS ARE SECURELY LOCKED DOWN.

MAXI-BRUSH

MAINTENANCE

Pressure wash all debris off the brushes after each time of use, this will considerably extend brush life. However, do not point the jet directly at the wooden brush backs.

Lock the stand legs in their lower position before uncoupling the Maxi-Brush from the tractor and always store in this position, with the brushes held clear of the ground.

PARTS LISTING FOR MAXI-BRUSH

Item	Description	Part No	QTY
1	MAIN FRAME	MB 001	1
2	WING FRAME	MB 002	2
3	HINGE PIN	MB 009	4
4	SUPPORT LEG	MB 003	3
5	SUPPORT LEG PIN	MB 004c	3
6	R clip	MB 010c	7
7	LOWER LINK PIN	MB 007c	2
8	LYNCH PIN	MB 006c	3
9	TOP LINK PIN	MB 005c	1
10	STOP BOLT ASSY	MB 008	4
11	BRUSH MOUNT BOLT	MB 011c	42
12	WASHER	N/A	
13	LOCKNUT	N/A	
14	BRUSH SECTION (BLUE)	MB 1800B	6
15	BRUSH SECTION (RED)	MB 1800R	6

To order spare parts please email spares@greentek.uk.com or call +44 (0)113 267 7000.

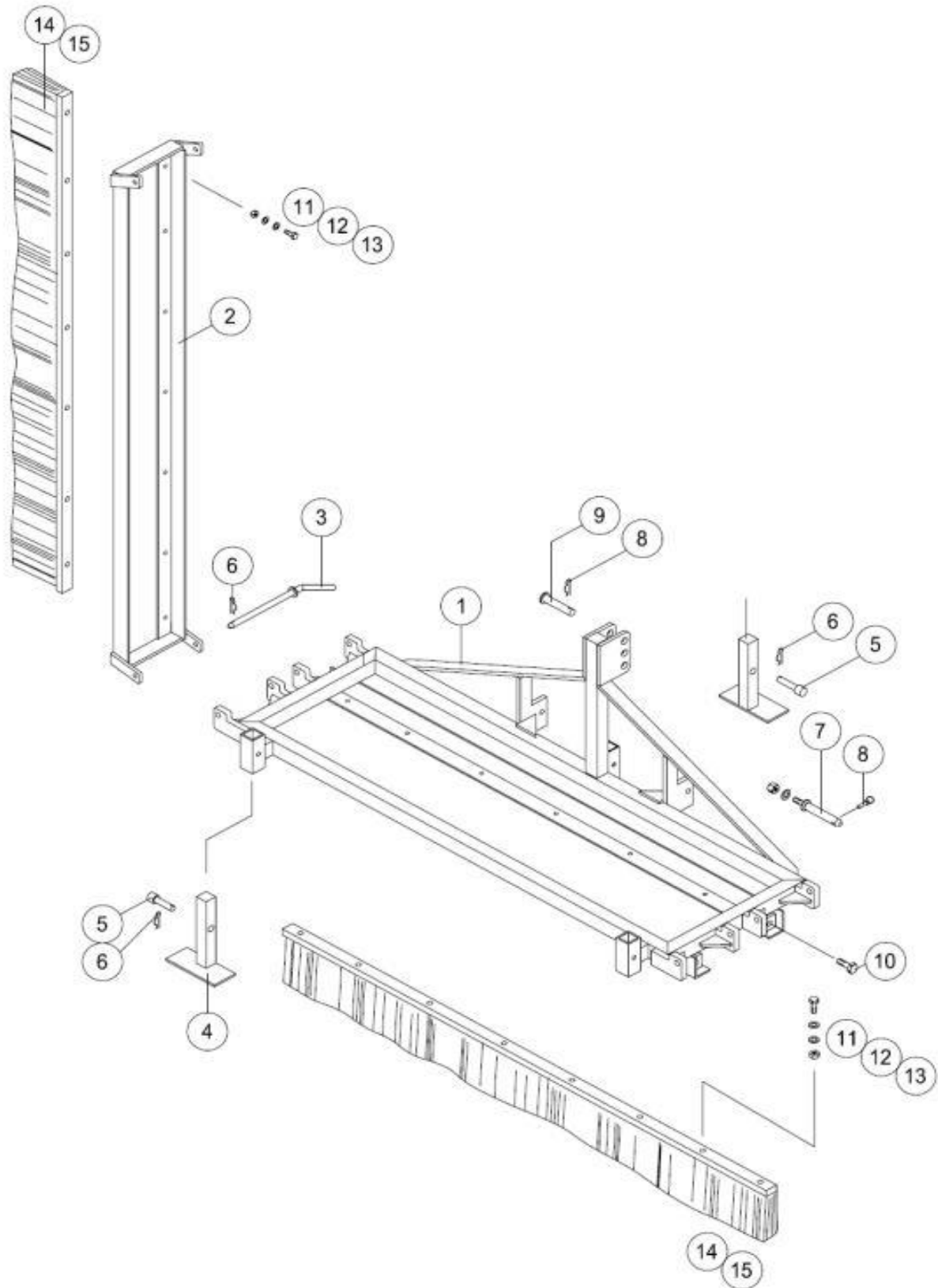
GreenTek[®]

Trusted by the best in the game

Tel: +44 (0)113 267 7000
Email: info@greentek.uk.com
Web: www.greentek.uk.com

MAXI-BRUSH

PARTS DIAGRAM FOR MAXI-BRUSH



GreenTek[®]

Trusted by the best in the game

Tel: +44 (0)113 267 7000
Email: info@greentek.uk.com
Web: www.greentek.uk.com

Certificate of CE Conformity

Date: 10 February 2003

Machine Model: Maxi-Brush

Description: Tractor Mounted Brush

Serial Number:

I hereby certify that the machine detailed hereon conforms to European Directives 89/392EEC as amended on 91/368EEC – 93/368EEC – 93/68EEC.

Signed: 

(Quality Manager)

GUARANTEE

We guarantee that should any defect in materials or workmanship occur within 24 months of the date of purchase we will repair, or at our option, replace the defective part free of charge provided that the fault is reported to us immediately it becomes apparent.

Damage caused by normal wear, misuse or in transit is not covered by this guarantee.

CONTACT US

For further information, support or advice please contact:

info@greentek.uk.com

+44 (0)113 267 7000