

GreenTek®

Trusted by the best in the game

AERO-QUICK

OPERATOR'S MANUAL



SAFETY WARNING

General

This turf maintenance system is designed to be operated by a tractor of not less than 17HP with a hydraulic lifting capacity of at least 450kg. Front weights may be necessary when operating this machine. All operators must also read and follow all instructions in the operator's handbook supplied with the tractor.

Before Starting the Tractor Engine

Check that the brakes are applied, drives are in neutral, guards are in position and intact and bystanders are clear of the machine. Do not run the engine in a building without adequate ventilation.

Operating the Machine

Always wear suitable protective clothing (eg, gloves, and steel toecap footwear) when operating sharp or heavy machinery. Before moving the machine, check to ensure that all the parts are in good working order, paying particular attention to tyres, steering, brakes and lights. Double check that the attachment is fitted securely to the tractor 3 point linkage.

Always observe the Highway Code both on and off the roads. Keep alert and aware at all times.

Remember that some people are deaf or blind; that children and animals can be unpredictable.

Keep travelling speeds low enough for an emergency stop to be effective and safe at all times.

Take special care when reversing and ensure that the area behind is clear of obstructions. remove or avoid obstructions in the working area.

Leaving the Driving Seat

Park the tractor on level ground. Before leaving the driving seat, stop the engine and make sure all moving parts are stationary. Apply brakes and disengage all drives. Remove the ignition key.

AERO-QUICK

Slopes

Always take extra care when working on slopes

Local undulations and sinkage will change the general slope. Avoid ground conditions which will cause the tractor to slide or roll over. Apply brakes before disengaging tractor gears. Keep the tractor completely under control when disengaging the traction clutch. Remember that the extra weight of the attachment will affect the balance and stability of your tractor.

Removing the Attachment from the Tractor

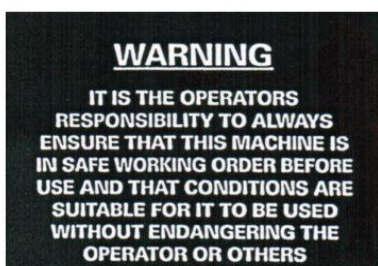
Lock down all of the drop legs BEFORE uncoupling the attachment from the 3 point linkage.

REMEMBER:

IT IS THE OPERATOR'S RESPONSIBILITY TO ALWAYS ENSURE THAT THIS MACHINE IS IN SAFE WORKING ORDER BEFORE USE AND THAT CONDITIONS ARE SUITABLE FOR IT TO BE USED WITHOUT ENDANGERING THE OPERATOR OR OTHERS.

WARNING DECAL

The following decals are affixed to your Aero-Quick which must be obeyed at all times. Replacement decals are available free of charge from the manufacturers.



GreenTek[®]

Trusted by the best in the game

Tel: +44 (0)113 267 7000
Email: info@greentek.uk.com
Web: www.greentek.uk.com

USING THE AERO-QUICK SYSTEM

The system comprises of a mainframe and a range of interchangeable attachments for rolling and aerating.

The slitting attachments are designed to be used working in straight lines. Lower the machine into the ground whilst moving forwards. Lift the machine on the 3 point linkage at the end of each pass BEFORE turning and lining up for the next pass. On no account should you try to make a turn with the SLITTERS lowered into position as this could result in damage to the machine.

Do not reverse with the machine on the ground or damage will occur.

Always work in the same direction throughout a season when slitting working at right angles to previous passes can result in severe lifting of the turf.

Fitting the Mainframe

Couple the mainframe to the tractor 3 point linkage and adjust the length of the top link so that the aerator frame is level when lowered into the operating position.

Uncoupling the Mainframe

To uncouple the mainframe from the tractor first lift the 3 point linkage, then fully lower and securely lock down all three drop legs. Then lower the mainframe and uncouple from the tractor.

NEVER UNCOUPLE THE MAINFRAME FROM THE TRACTOR UNLESS ALL THREE DROP LEGS ARE SECURELY LOCKED DOWN

Fitting the Aero-Quick to a Cushman Truckster (also available for Toro/JD)

The Aero-Quick can be fitted to post 1992 Cushman Trucksters by using the special Cushman Adaptor Frame available separately from GreenTek.

Fit the Adaptor Frame by using the standard Cushman pivot pins into the pivot holes in the rear of the chassis rails. If your Cushman has the optional rear adaptor brackets bolted on for using pre-1992 attachments these should not be used.

Fit the top link extension post to the Aero-Quick using the pins and clips provided.

AERO-QUICK



Fitting of top link extension post to Aero-Quick and adaptor frame to cushman



Adaptor frame raises Aero-Quick by its bottom link pins, allowing front stand leg to be raised.



Attaching floating top link.

GreenTek[®]

Trusted by the best in the game

Tel: +44 (0)113 267 7000
Email: info@greentek.uk.com
Web: www.greentek.uk.com

6. Lower the front stand leg and lock with pin.
7. Remove the locking pins from the bottom link clasps and extend the hydraulic ram to pivot the Cushman Adaptor Frame away from the Aero-Quick. Replace the locking pins into the bottom link clasps.
8. You can now drive away, leaving the Aero-Quick parked on it's stand legs, ready for use next time.

MAINTENANCE

Daily

Inspect the whole machine paying particular attention to tightness of all nuts and bolts and condition of tines. Check for cracks or breakages, particularly around the mounting points on the mainframe and the condition of the linkage connecting pins.

Weekly (Every 40 hours)

Grease bearings using a lithium grease.

ATTACHMENTS

Slit Tinners

The slitting rotor has two configurations of bolt holes which enable it to mount a wide selection of slitting tines. These include 6", 8" and 8 ½" outfield tines, and 5" and 6" fine turf tines. ALL tines apart from the 5" fine turf slitters should be fitted so that they are angled forward in the direction of rotation.

Hollow Corer

The Hollow Corer must be fitted into the main frame with the tines angled forward in the direction of rotation. Incorrect fitment will result in serious damage to this attachment.

Disc Slitter

The Disc Slitter attachment will fit directly to the Mainframe with no specific requirement regarding direction of rotation.

Rear Roller, Rake and Brush

The rear roller may be used in conjunction with an aerating attachment to firm down any divots.

A roller scraper is fitted to prevent problems of mud building up on the roller are encountered. In addition a scarifying rake and/or Brush may be fitted on to the rear roller carrier allowing all four operations to be carried out simultaneously. The rake and brush are independently adjustable for a light or an aggressive grooming.

DO NOT REVERSE WITH RAKES ON THE GROUND OTHERWISE DAMAGE WILL OCCUR.

Hydraulic Pressure Ram

This replaces the tractor's top link by a fixed bar. The pressure ram is attached to both this bar and the central lower mounting point on the aerator. The two hydraulic hoses must be connected to a double-acting spool valve on the tractor's 3 point linkage control, then applying hydraulic pressure through the spool valve to the pressure ram, greater penetration of the tines can be achieved. Do not use this attachment on undulated areas where the tractor's rear wheels may become suspended off the ground.



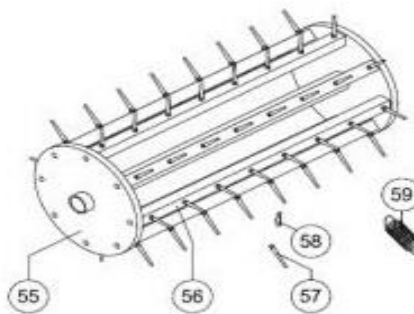
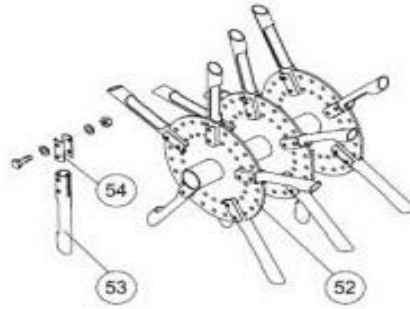
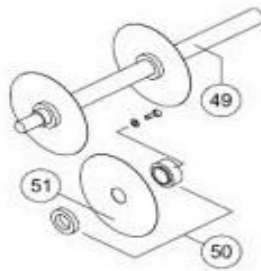
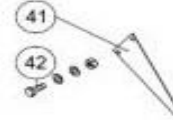
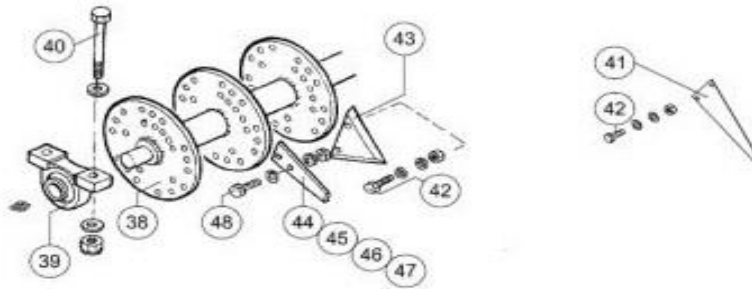
PARTS LISTING FOR AERO-QUICK

Item	Description	QTY	Part No
1	MAIN FRAME	1	AQ 001
2	ROLLER CARRIER R/H	1	AQ 002
2A	ROLLER CARRIER L/H	1	AQ 002A
3	PIN	2	AQ 003
4	SUPPORT LEG	3	AQ 004
5	SUPPORT LEG PIN	3	AQ 005
6	R clip	3	AQ 006
7	LOWER LINK PIN	2	AQ 007
8	LYNCH PIN	3	AQ 008
9	TOP LINK PIN	1	AQ 009
10	SCRAPER MOUNT BKT	2	AQ 010
11	SCRAPER	1	AQ 011
12	ROLLER	1	AQ 012
13	ROLLER BEARING	2	AQ 013
14	BOLT ASSY	4	AQ 014
15	SPRING MOUNT BOLT	2	AQ 015
16	SPRING	2	AQ 016
17	STOP BOLT ASSY	2	AQ 017
18	PRESSURE RAM PIN	1	AQ 018
18A	R clip large	1	AQ 018A
19	PRESSURE RAM	1	AQ 019
20	LINK BAR	1	AQ 020
21	BOLT ASSY	1	AQ 021
22	HYD Q/R COUPLING	2	AQ 022
23	HYD ADAPTOR	4	AQ 023
24	HYD PIPE	1	AQ 024
25	HYD PIPE	1	AQ 025
26	WEIGHT TRAY	1	AQ 026
27	END PANEL L/H	1	AQ 027
28	END PANEL R/H	1	AQ 028
29	REAR GUARD	1	AQ 029
30	SIDE COVER L/H	1	AQ 030

Item	Description	QTY	Part No
31	SIDE COVER R/H	1	AQ 031
32	HINGE PLATE	2	AQ 032
33	TOGGLE	2	AQ 033
34	TOGGLE PLATE	2	AQ 034
35	BOLT ASSY	4	AQ 035
36	BOLT ASSY	12	AQ 036
37	BOLT ASSY	6	AQ 037
38	UNIVERSAL TINE SHAFT	1	AQ 038
39	SUPPORT BEARING	2	AQ 039
40	BOLT ASSY	4	AQ 040
41	DEEP SLITTING TINE	50	AQ 640c
42	TINE BOLT ASSY	100	AQ 638c
43	5" FINE TURF TINE	50	AQ 637c
44	6" FINE TURF TINE	50	AQ 044
45	6" OUTFIELD TINE	50	AQ 045
46	8" FINE TURF TINE	50	AQ 046
47	8" OUTFIELD TINE	50	AQ 047
48	TINE BOLT ASSY	100	AQ 048
49	UNIVERSAL SHAFT	1	AQ 049
50	DISC CLAMP ASSY	4	AQ 647c
51	DISC	4	AQ 646c
52	HOLLOW CORE DISC ASSY	3	AQ 052
53	HOLLOW CORE TINE	48	AQ 643c
54	CLAMP ASSY inc bolts	96	AQ 644c
55	TINE DRUM ASSY	1	AQ 055
56	TINE BAR	8	AQ 056
57	SOLID TINE inc clip	112	AQ 652c
58	SOLID TINE CLIP	112	AQ 657c
59	SPRING & PIN	8	AQ 656c
60			

To order spare parts please email spares@greentek.uk.com or call +44 (0)113 267 7000.

AERO-QUICK



GreenTek[®]

Trusted by the best in the game

Tel: +44 (0)113 267 7000
Email: info@greentek.uk.com
Web: www.greentek.uk.com

AERO-QUICK

Certificate of CE Conformity

Date: 10 February 2003
Machine Model: Aero-Quick
Description: Top Dressing Brush
Serial Number:

I hereby certify that the machine detailed hereon conforms to European Directives 89/392EEC as amended 91/368EEC – 93/44EEC – 93/68EEC.

Signed: 
(Quality Manager)

GreenTek[®]

Trusted by the best in the game

Tel: +44 (0)113 267 7000
Email: info@greentek.uk.com
Web: www.greentek.uk.com

GUARANTEE

We guarantee that should any defect in materials or workmanship occur within 24 months of the date of purchase we will repair, or at our option, replace the defective part free of charge provided that the fault is reported to us immediately it becomes apparent.

Damage caused by normal wear, misuse or in transit is not covered by this guarantee.

CONTACT US

For further information, support or advice please contact:

info@greentek.uk.com

+44 (0)113 267 7000